

Bathroom Faucets

Rainvera Collection

Centerset Series



Buy more. Save more.

[REQUEST A QUOTE](#)

Codes & Standards

- a. cUPC ASME A112.18.1/CSA B125.1
- b. NSF/ANSI/CAN 61-2022
- c. EPA WaterSense

Product Features

- a. Warranty : Limited Lifetime
- b. Installation Type : Centerset
- c. Max Flow Rate : 1.2 GPM at 60 PSI



Accessories Included

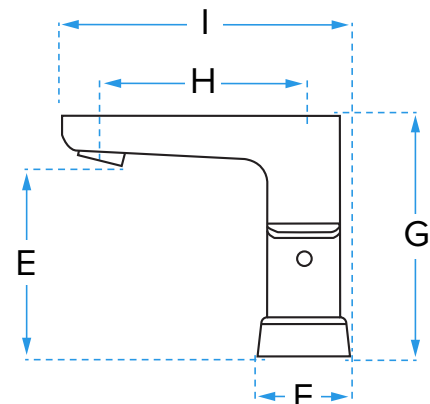
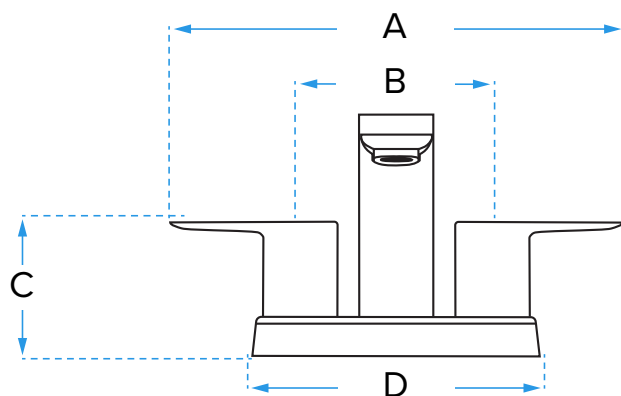
- a. Hot & Cold Supply Hoses
- b. Pop-up Drain (AL5-04)
- c. Installation Guide

Additional Resources

- a. [Installation Guide](#)
- b. [Warranty Details](#)

| Model | Finish Options |
|-----------|----------------|
| A-7024-C | Chrome |
| A-7024-BN | Brushed Nickel |
| A-7024-BL | Matte Black |

| A | B | C | D | E | F | G | H | I |
|-------------------|---------------|------------------|---------------|---------------|--------------|---------------|-------------------|---------------|
| 9-3/8" (240mm) | 4" (102mm) | 2-3/4" (71mm) | 6" (152mm) | 4" (102mm) | 2" (50mm) | 5" (128mm) | 4-1/4" (109mm) | 6" (154mm) |



ALLORA USA LLC. | 22713 Commerce Center Ct. STE 140 Dulles, VA 20166 | 571-291-3484 | sales@allorausausa.com | www.allorausausa.com

Allora USA is not responsible for, nor does it have any liability for any mistakes or typographical errors including liability for incidental, consequential, or special damages. Allora USA recommends that the model to be installed be present, inspected and measured prior to utilizing the related spec sheets and any work, preparations or alterations are made to any counter-top material. See website for detailed warranty information. Allora USA reserves the right to make revisions without notice to product specifications.

REV: Feb, 2026

Bathroom Faucets
Rainvera Collection
Centerset Series



Buy more. Save more.

REQUEST A QUOTE

Spec Submission

| | |
|-----------------|------|
| Product Number: | Qty: |
| Project Name: | |
| Contact: | |
| Date: | |
| Other Details: | |
| Approval: | |



ALLORA USA LLC | 22713 Commerce Center Ct. STE 140 Dulles, VA 20166 | 571-291-3484 | sales@alloraua.com | www.alloraua.com

Allora USA is not responsible for, nor does it have any liability for any mistakes or typographical errors including liability for incidental, consequential, or special damages. Allora USA recommends that the model to be installed be present, inspected and measured prior to utilizing the related spec sheets and any work, preparations or alterations are made to any counter-top material. See website for detailed warranty information. Allora USA reserves the right to make revisions without notice to product specifications.

REV: Feb, 2026